

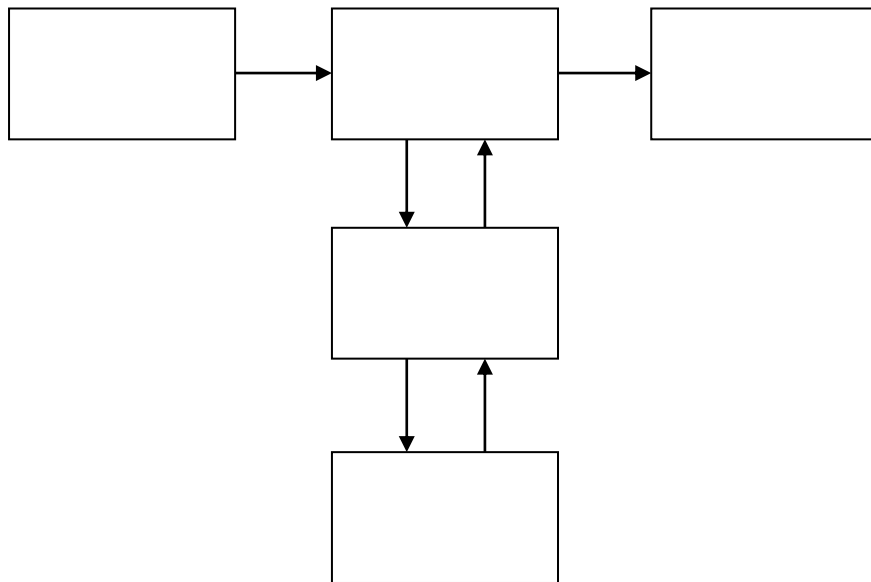
Components of a Computer System

Data and Information

The basic function of a computer is to process **data** into **information**. Data can be described as raw values and characters without any meaning. Data is ready to be processed, generally by a computer system. When data is processed it becomes information. Information is data that has been given a context, a meaning; it is understood by human beings.

Basic Computer System

In order to process data into information a computer system has to have the following basic components:



- _____ : using appropriate devices to enter data into a computer.
- _____ : data is understood and modified (selected, sorted, loaded). It is given a meaning, changed into information.
- _____ : giving back information in human-readable form so that humans can understand it.
- _____ : keep data in an electronic format for a long period of time.
- _____ : get data from storage in order to be processed.
- _____ : transfer data from memory to output devices.
- _____ : transfer data from input devices to memory.

Computerisation

Computers offer a number of advantages to the user as a computer is fast, accurate, reliable, consistent and has a lot of storage.